



Product Information

CN6-ECHO • **CompactPCI**[®] Dual Gigabit Ethernet NIC

Document No. 3768 • Edition 2008-02

*Ethernet remains a megatrend for connecting systems in a heterogeneous environment. With the **CN6-ECHO** EKF introduces a dual Gigabit Ethernet networking interface controller (NIC) for CompactPCI[®] systems.*

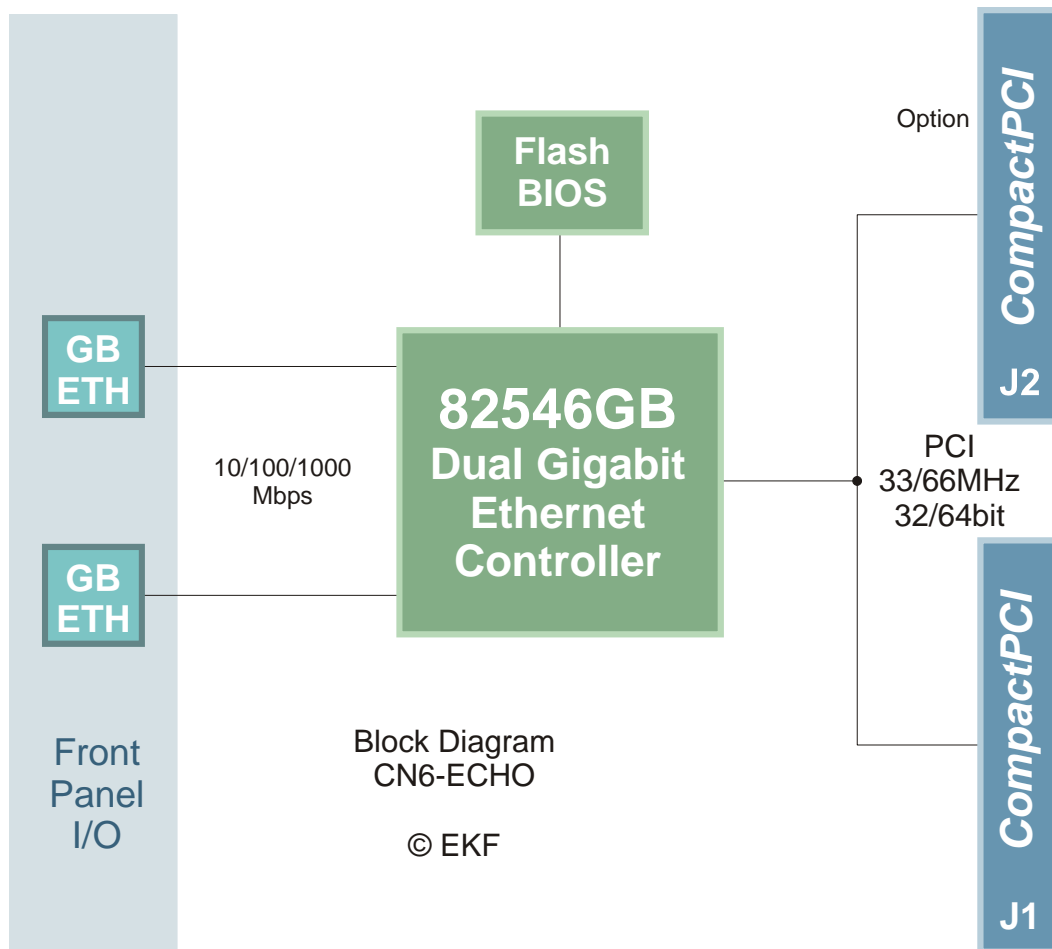
Attachment to the local network across the RJ45 jacks requires an ordinary CAT5/6 twisted-pair copper cable only, which is suitable for distances up to more than 100m. While providing the 1000Base-T standard for fastest data transfer rates, compatibility is maintained to 100Base-TX and even 10Base-T based hubs and switches.

Gigabit Ethernet has been designed to use existing cabling and equipment, hence simplifying the migration process. Integrating the 1000Mbps CN6-ECHO NIC into any CPCI system not only allows for remarkable higher data throughput, but also reduces the network load considerably due to shortened transfer times.

The CN6-ECHO is provided with a 32/64-bit CPCI interface, and can be operated at either 33MHz or 66MHz bus clock. While being compatible with all CPCI systems, the optimum performance will be achieved within a 64-bit/66MHz system.



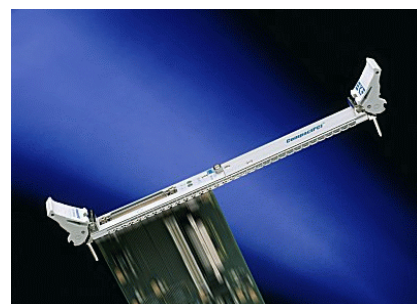
Block Diagram CN6-ECHO



The design of the CN6-ECHO is based on a modern single-chip integrated dual MAC/PHY, thus minimizing the power consumption. The board is provided with a 128kx8 Flash EPROM, suitable for an extended BIOS (system boot from network).

The CN6-ECHO can be integrated smoothly into any existing networking environment. In order to profit from its Gigabit Ethernet capability, a Gigabit switch must be used accordingly for attachment. Existing facility cabling must provide strapping of all 8 pin positions of the RJ45 jack.

The CN6-ECHO is a 3U (single size) Eurocard. For 6U CPCI systems, a mounting kit (CR9-ADAPT) is available, which expands the front panel to 6U height.

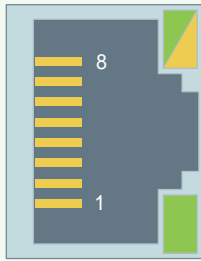


CR9-ADAPT

| Feature Summary CN6-ECHO | |
|------------------------------|---|
| Form Factor | Single size 3U <i>CompactPCI</i> style Eurocard (160x100mm ²), front panel width 4HP (20.3mm) |
| Ethernet | <ul style="list-style-type: none"> ▶ Dual twisted pair RJ45, 8-position, suitable for direct attachment to any hubs, switches, routers, transceivers (cross-over patch cable not required in most cases) ▶ Category 5/6, UTP (Unshielded Twisted Pair) or STP (Shielded Twisted Pair), length up to 105m maximum ▶ 10Base-T 10Mbps (20Mbps @ full-duplex) ▶ 100Base-TX (Fast-Ethernet) 100Mbps (200Mbps @ full-duplex), auto-negotiation for best performance ▶ 1000Base-T (Gigabit Ethernet) 1000Mbps ▶ Intel PCI Gigabit Ethernet controller, integrated single chip dual MAC and PHY (transceiver) ▶ Jumbo Frame support up to 16KB |
| CPCI Bus | <ul style="list-style-type: none"> ▶ 32/64-bit, 33/66MHz, DMA bus master ▶ 3.3V or 5V interface |
| Power Consumption | <ul style="list-style-type: none"> ▶ +3.3V ±0.15V 1.25A max. ▶ V_{IO} +5V or +3.3V 0.01A max. |
| Environmental Conditions | <ul style="list-style-type: none"> ▶ Operating temperature: 0°C ... +70°C ▶ Storage temperature: -40°C ... +85°C ▶ Humidity 5% ... 95% non condensing ▶ Altitude -300m ... +3000m ▶ Shock 15g 0.33ms, 6g 6ms ▶ Vibration 1g 5-2000Hz |
| EC Regulations | <ul style="list-style-type: none"> ▶ EN55022, EN55024, EN60950-1 (UL60950-1/IEC60950-1) ▶ 2002/95/EC (RoHS) |
| MTBF | tbd h |
| Driver Software, BIOS, Tools | Intel support available for a variety of operating systems, e.g. Windows®, Linux, Unix, Solaris, DOS |

subject to change

Gigabit Ethernet RJ45 Jacks ETH-A/B

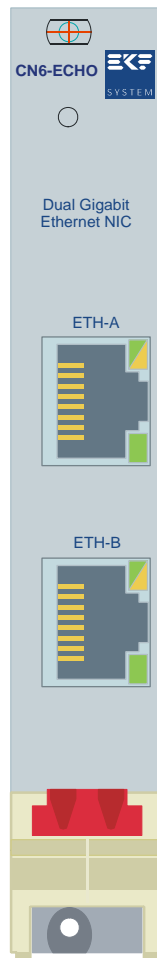


Upper dual-colour LED:
yellow=1Gbit/s green=100Mbit/s off=10Mbit/s

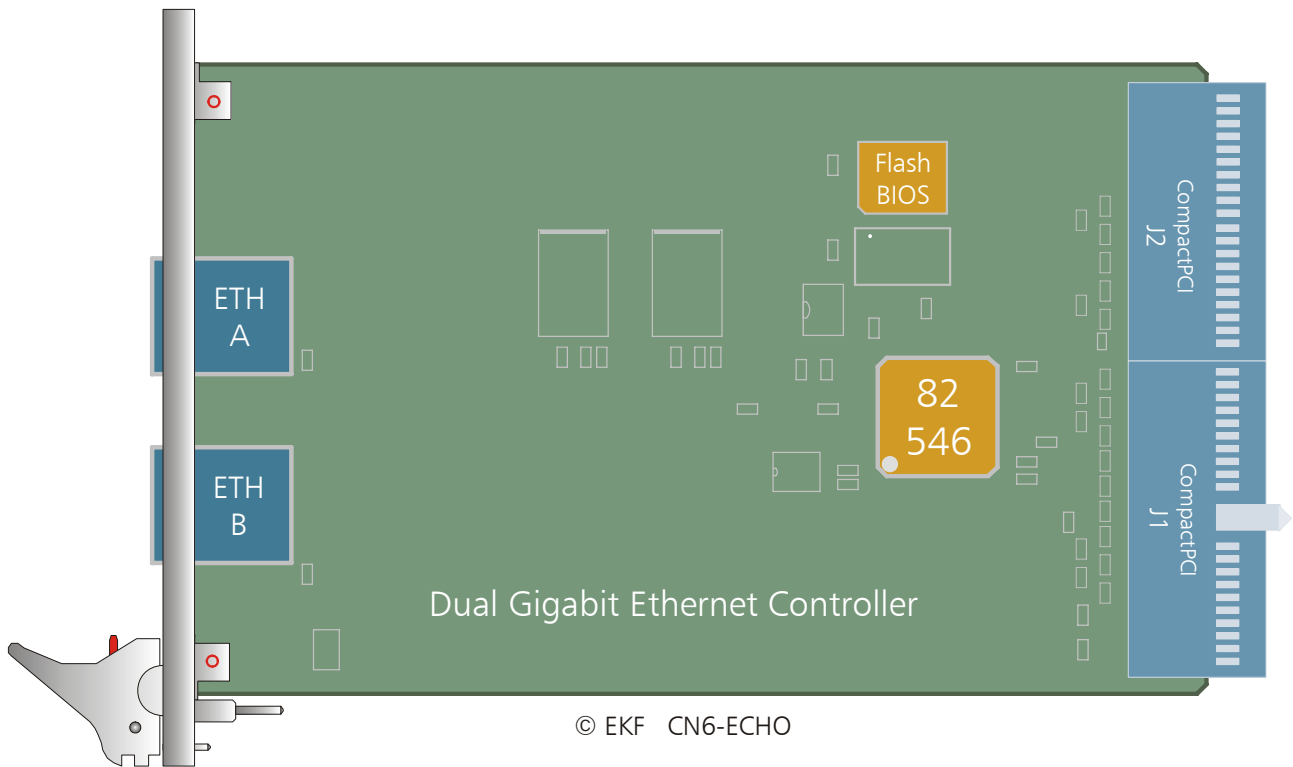
Lower green LED:
on=link established blinking=activity (data)

| | |
|---|-------|
| 1 | MDX0+ |
| 2 | MDX0- |
| 3 | MDX1+ |
| 4 | MDX2+ |
| 5 | MDX2- |
| 6 | MDX1- |
| 7 | MDX3+ |
| 8 | MDX3- |

Front Panel CN6-ECHO



Assembly Drawing



| Ordering Information | | |
|----------------------|-----------------|--|
| Alias | Ordering Number | Short Description |
| ECHO | CN6-1-ECHO | 3U <i>CompactPCI</i> Dual Gigabit Ethernet NIC |
| ADAPT | CR9-5-ADAPT | Mechanical kit, expands 3U front panel to 6U |

EKF Elektronik GmbH
Philipp-Reis-Str. 4
59065 HAMM
Germany



Fax. +49 (0)2381/6890-90
Tel. +49 (0)2381/6890-0
Internet www.ekf.com
E-Mail info@ekf.de